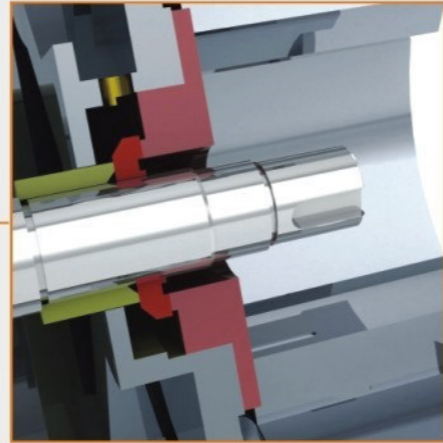
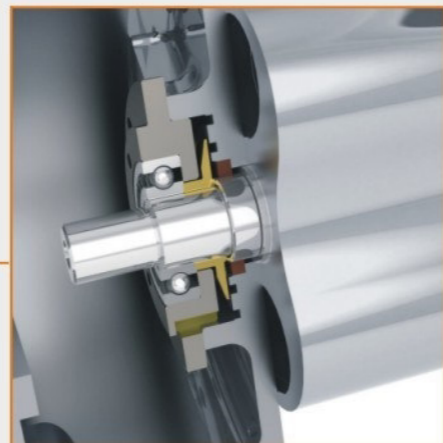


LVR SERIES ROOTS VACUUM PUMP



1. Aluminum Alloy
The pump shell and the rotors are all made of aluminum alloy which has the character of light weight, heat resistance, corrosion resistance and good looking.

2. Mechanical Seal
Using mechanical seal to prolong the service life. And the build-in "oil cup" and oil slinger is used to lubricating the mechanical seal.



3. Profile
The good profile is designed to ensure the higher pumping ability even at low pressure.

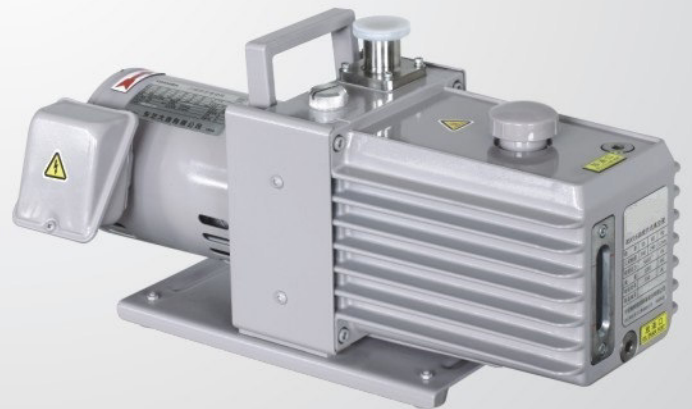
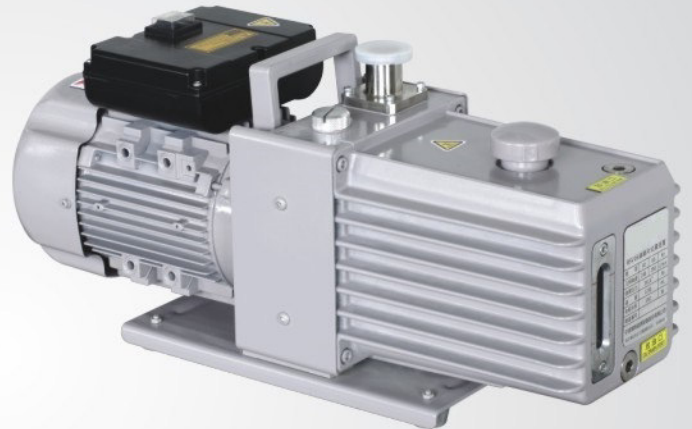
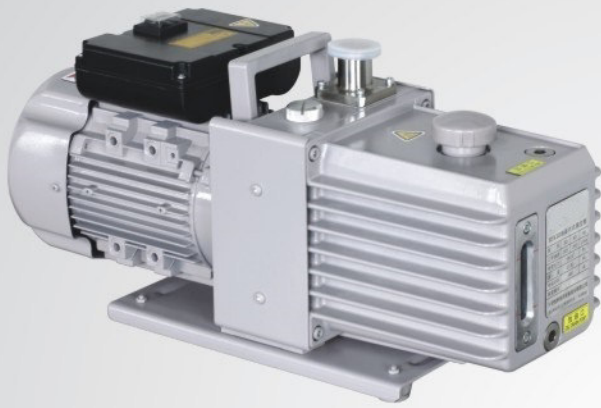
4. Intermediate Seal
Using multiple seals to ensure no oil return into the pumping chamber.

We adhere to the spirit of " people-oriented, create value ", respect the customers sincerely, grasp customers' needs fully and accurately, practice the service philosophy of " customer first, service foremost " seriously, develop concordantly and share prosperity .
We believe that quality creates the future, and the excellence drives the development!

Served Customers

The grid contains the following logos (from top-left to bottom-right):

- 中国石化 (Sinopec)
- SINOPEC
- 中海油 (PetroChina)
- 1905 延长石油 (Yanchang Petroleum)
- 中航工业-南方燃气 (AVIC)
- JAMG 晋煤集团 (Jinmei Group)
- 煤科院 (Coal Research Institute)
- 华北设计院 (North China Design Institute)
- CSR 中国南车 (China South Locomotive)
- 阳煤集团 (Yangmei Group)
- XCISEN 辰欣 (Chenxin)
- 四川达科特 (Sichuan Dakote)
- Red Mountain
- 山东华鲁 (Shandong Hualu)
- 达利集团 (Dali Group)
- BOSS TIRE 保速捷轮胎 (Boss Tire)
- 金耀集团 KINGYORK (Jin Yao Group)
- 发泰科技 Pharm-Tech (Fatai Tech)
- 新巨风 (Xinju Feng)
- AUX 奥克斯 (Aux)
- 红五环集团 (Hongwuhuan Group)
- 凌格风 Linghein
- SCR 斯可络 (SCR)
- DESIRAN 德斯拉 (Desiran)
- KKT 康可尔 (KKT)
- Newamstar 新美星 (Newamstar)
- Haier
- BYD 比亚迪股份有限公司 BYD COMPANY LIMITED (BYD)
- 沈阳科仪 (Shenyang Keyi)
- YUNFENG 韵丰新能源 (Yunfeng)
- 美的 Midea (Midea)
- ZTE中兴 (ZTE)
- HUAWEI
- FAG
- NSK
- KAPPONILES
- SKF
- 横河川仪 (Yokogawa)
- WIKAL 威卡 (Wikal)
- SIEMENS
- Mazak 马扎克 (Mazak)
- ROSEMOUNT 罗斯蒙特 (Rosemount)
- Honeywell 霍尼韦尔 (Honeywell)
- 佳电 (Jiadian)
- 南阳电机 (Nanyang Motor)
- 志高 (Zhigao)
- Schneider Electric 施耐德 (Schneider Electric)
- CEC 中国电子 CHINA ELECTRONIC (CEC)
- lenovo 联想 (Lenovo)
- FOXCONN 富士康科技集团 (Foxconn)
- T.T.T 远东真空技术 (T.T.T)
- 极地亚电子设备 (Jidiya Electronics)
- 上海医疗器械厂 (Shanghai Medical Instrument Factory)
- 东方激光 (Dongfang Laser)
- OSRAM 新和(绍兴)绿色照明 (OSRAM)



LVD SERIES DIRECT DRIVE VACUUM PUMP

APPLICATIONS FIELD

Laboratory, instruments analysis, laser application, vacuum coating, sputtering, semiconductor manufacturing equipment, vacuum degassing, electron microscope auxiliary pump, lighting, refrigeration equipment production line and vacuum drying etc.

CHARACTERISTIC

1. Optimized design and precision machining brings the low vibration, low noise and long life.
2. Built-in oil check valve avoid the phenomenon of oil return.
3. Forced feed lubrication of the built-in oil pump ensure the lubricating and internal seal in the pumpdown processing from atmosphere to high vacuum process.
4. Inspect and control the oil level easily through the big oil level mirror.

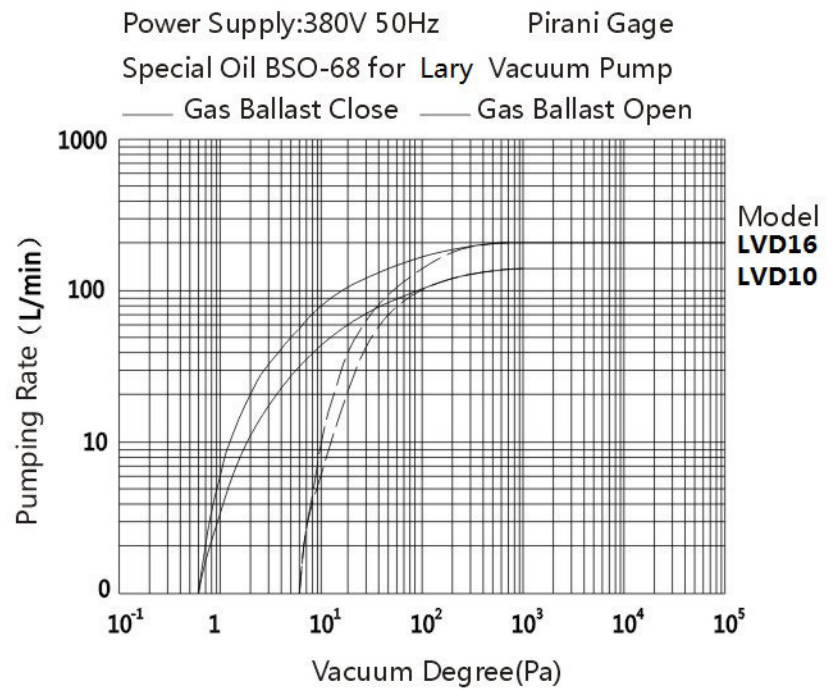
Technical Data Sheet

Item		Model	LVD10	LVD16	Unit
Pumping Rate	50Hz		9.9(165)	14.4(240)	m ³ /h (L/min)
	60Hz		12(200)	17.4(290)	
Margin Pressure	Gas Ballast Close		5×10 ⁻¹		Pa
	Gas Ballast Open		5.0		
Motor Power	380V (Three Phase)		0.4 (4Poles)	0.55 (4Poles)	kW
	220V (Single Phase)				
Oil Required			1.1	1.2	L
Air Inlet/Outlet			KF25		DN
Weight			25	27	Kg

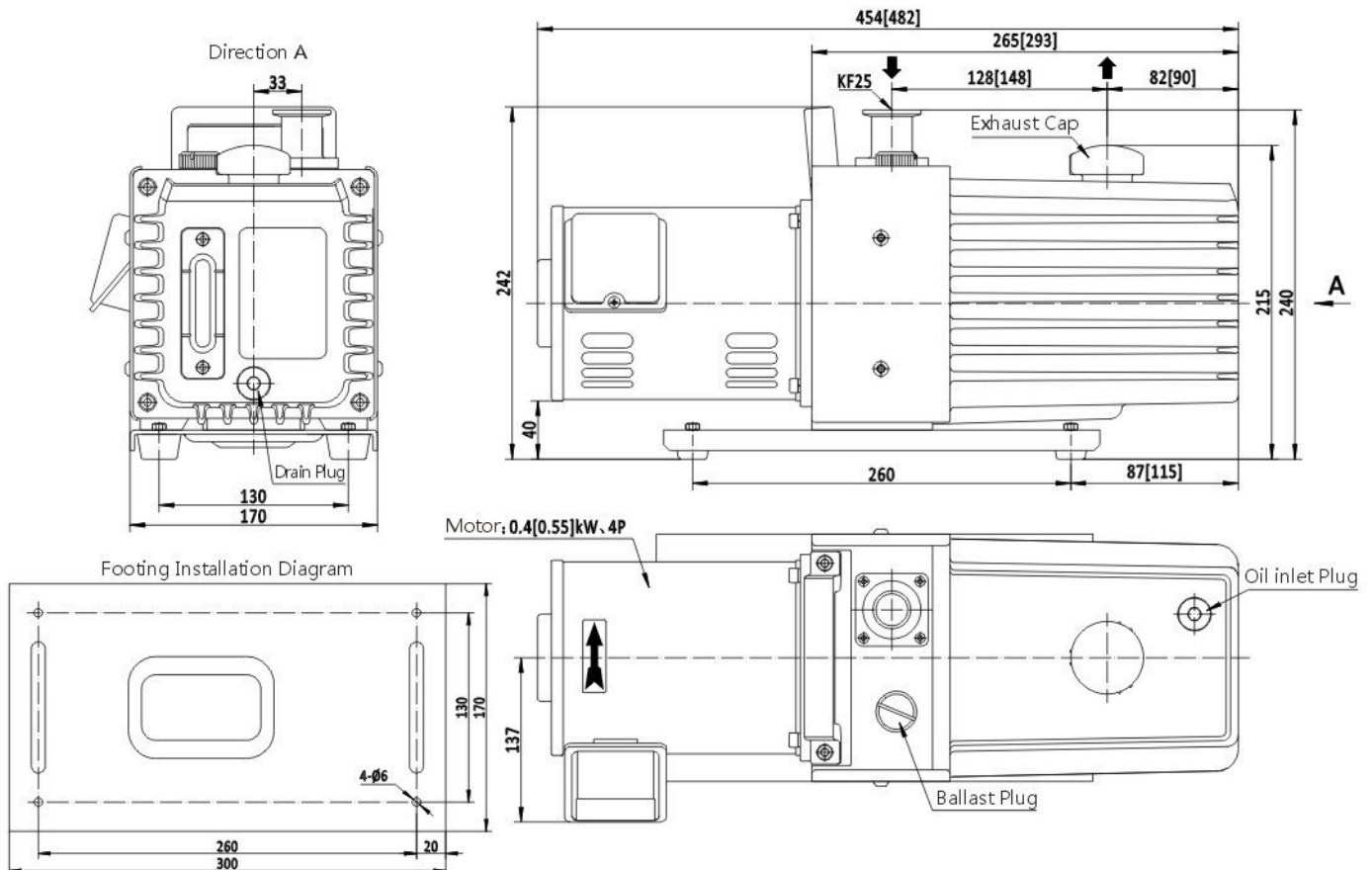
Note:

1. The value of Margin Pressure here is measured with Pirani gage, if use the Mcleod gage the value should be 5×10⁻² Pa.
2. There are many different kinds of vacuum pump oil which has vapor pressure, viscosity and oil difference. Therefore, in order to guarantee the pump performance and service life, please use lary special pump oil

Pumping Rate Curve



Installation Diagram



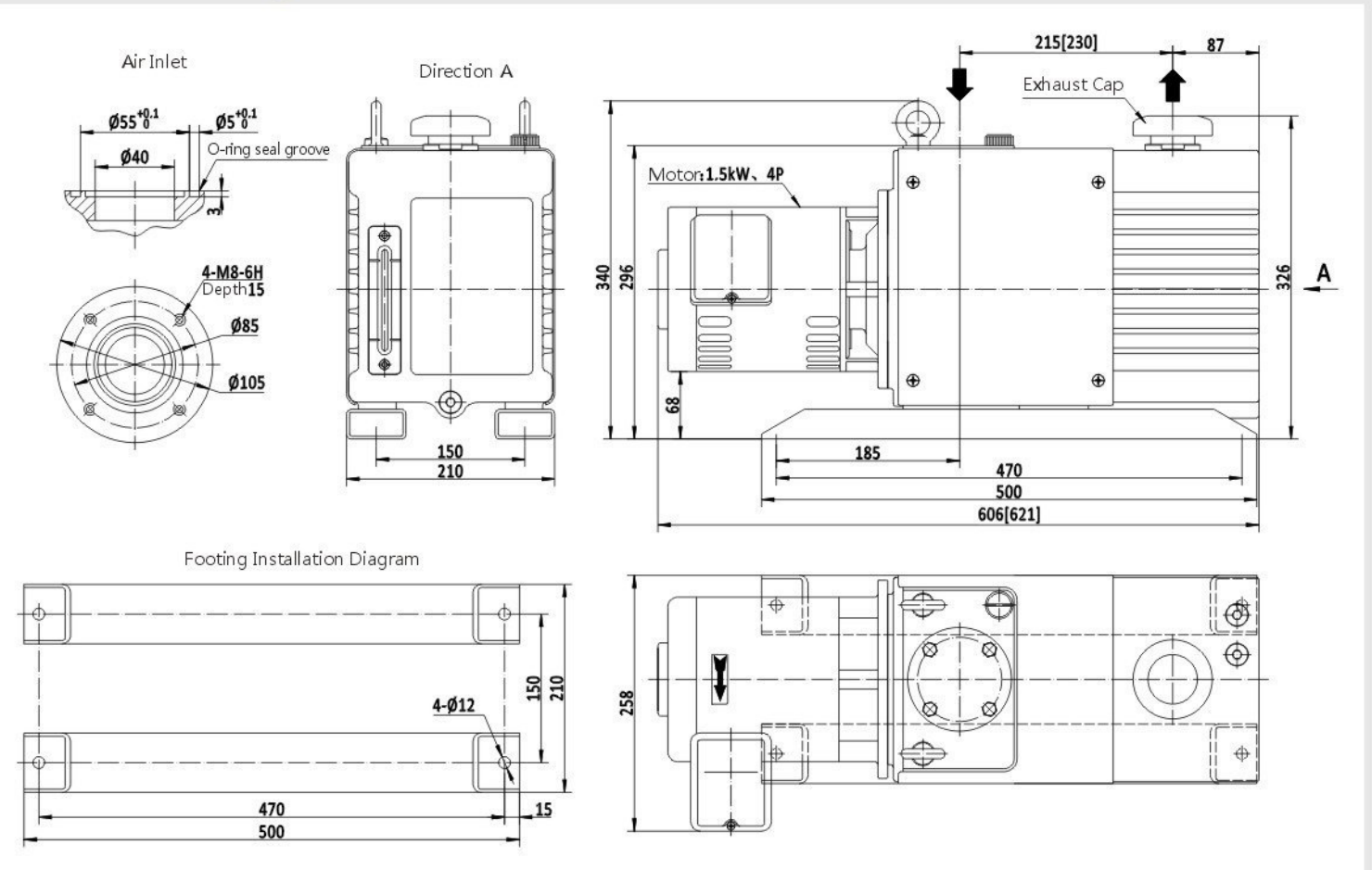
Technical Data Sheet

Item		Model	LVD30	LVD40	Unit
Pumping Rate	50Hz		30(500)	40(667)	m ³ /h
	60Hz		36(600)	48(800)	(L/min)
Margin Pressure	Gas Ballast Close		5×10 ⁻¹		Pa
	Gas Ballast Open		2.0		
Motor Power(3phase, 4P)			1.5		kW
Motor Speed	50Hz		1400		r/min
Oil Required			1.2~2.8		L
Air Inlet/Outlet			KF40		DN
Weight			63	65	kg

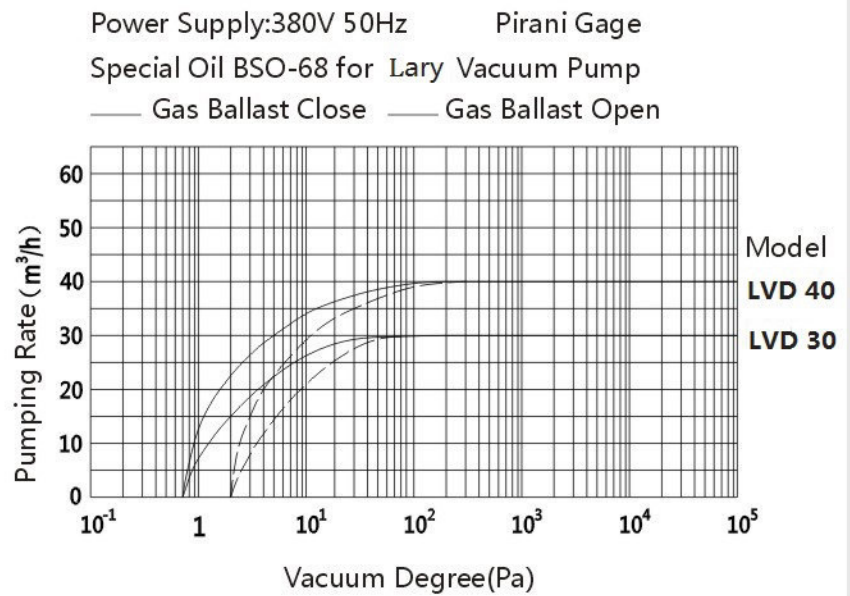
Note:

1. The value of Margin Pressure here is measured with Pirani gage, if use the Mcleod gage the value should be 5×10⁻² Pa.
2. There are many different kinds of vacuum pump oil which has vapor pressure, viscosity and oil difference. Therefore, in order to guarantee the pump performance and service life, please use Lary special pump oil.

Installation Diagram



Pumping Rate Curve



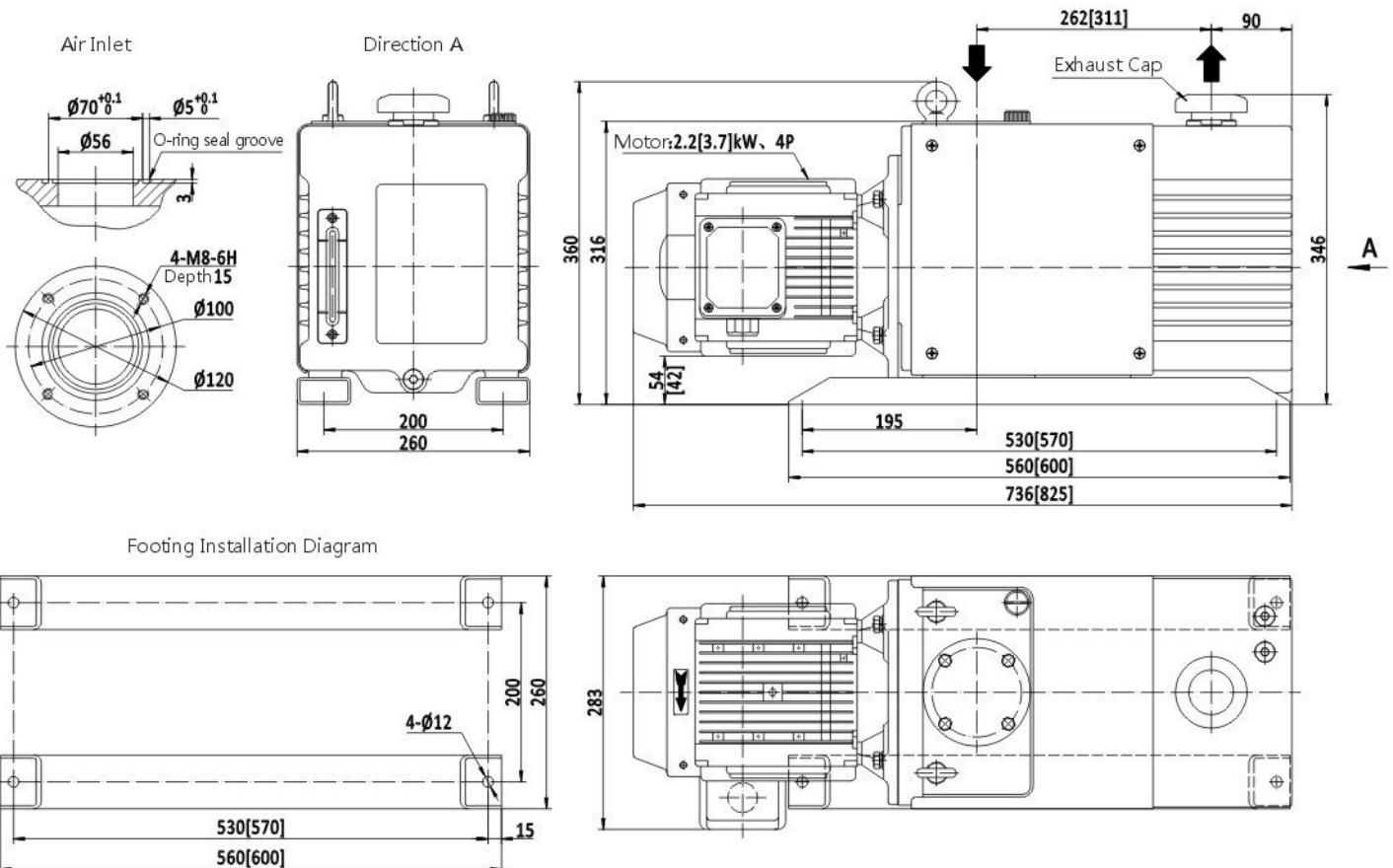
Technical Data Sheet

Item		Model	LVD60	LVD90	Unit
Pumping Rate	50Hz		60(1000)	90(1500)	m ³ /h (L/min)
	60Hz		72(1200)	108(1800)	
Margin Pressure	Gas Ballast Close		5×10 ⁻¹		Pa
	Gas Ballast Open		2.0		
Motor Power(3phase, 4P)			2.2	3.7	kW
Motor Speed	50Hz		1400		r/min
Oil Required			2.5~4.2		L
Air Inlet/Outlet			KF40		DN
Weight			87	101	kg

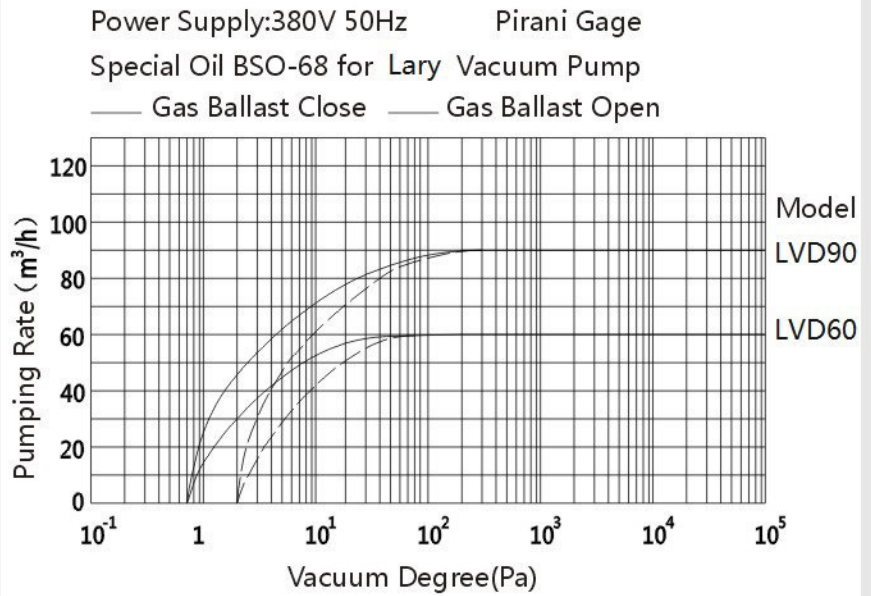
Note:

1. The value of Margin Pressure here is measured with Pirani gage, if use the Mcleod gage the value should be 5×10⁻² Pa.
2. There are many different kinds of vacuum pump oil which has vapor pressure, viscosity and oil difference. Therefore, in order to guarantee the pump performance and service life, please use Lary special pump oil.

Installation Diagram



Pumping Rate Curve





LVR SERIES ROOTS VACUUM PUMP

INTRODUCTION

Roots vacuum pump is mainly composed of a pair of "8"-shaped rotors which synchronous rotate with high-speed and two semi-circular chambers. It can improve the pumping rate as well as vacuum degree greatly in effective working limit when combines with screw vacuum pumps, rotary vane pumps, rotary plunger pump etc.

APPLICATIONS FIELD

Lighting, solar energy, electronics, semiconductors, vacuum drying, leak detection equipment, vacuum casting, vacuum melting, vacuum degassing, vacuum coating industry and vacuum distillation of the chemical pharmaceutical industry etc.

CHARACTERISTIC

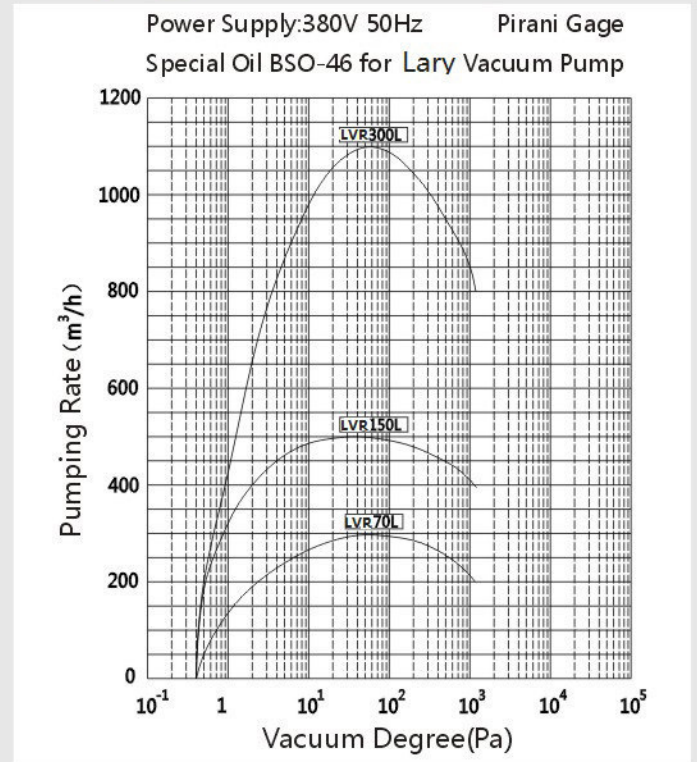
1. No lubricating oil in the pump chamber to get high purity vacuum.
2. Rotors processing with imported advanced equipment have the characteristic of good geometric symmetry, low noise and long service life.
3. The whole pump is made of aluminum alloy for corrosion resistance and lose heat quickly, so as to prolong the life of the pump.
4. Quick start, to reach a vacuum in a short time.
5. Compact-sized, light weight and small footprint.

Technical Data Sheet

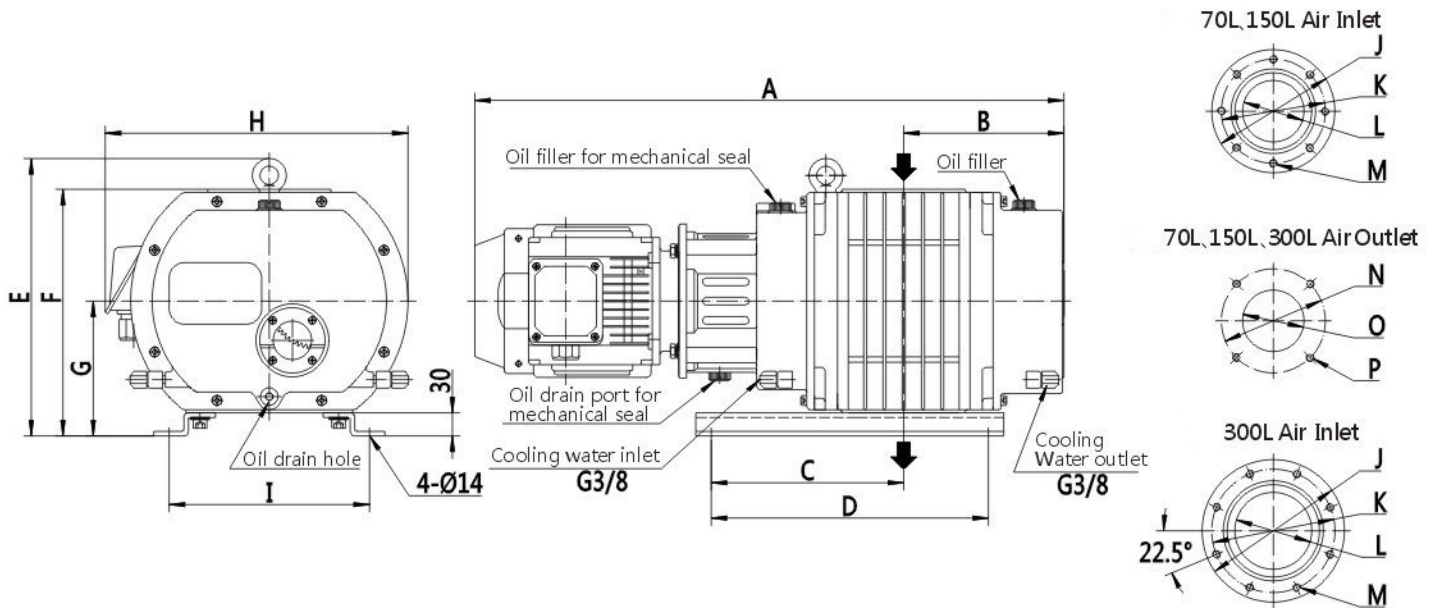
Item \ Model	LVR70	LVR150	LVR300	Unit
Pumping Rate	70	150	300	L/S
Margin Pressure	4×10^{-1}	4×10^{-1}	5×10^{-1}	Pa
Max Allowable Pressure Differential	4×10^3	7.3×10^3	7.3×10^3	Pa
Max Suction Pressure	1.2×10^3	1.3×10^3	1.3×10^3	Pa
Inlet Diameter	80	80	100	mm
Outlet Diameter	80	80	80	mm
Motor Power	0.75	2.2	3.7	kW
Rotate Speed	2950	2950	2950	r/min
Weight	51	79.5	115	kg

Note: The value of Margin Pressure here is measured with pirani gage, if use the Mcleod gage the value should be 4×10^{-2} Pa.

Pumping Rate Curve



Installation Diagram



Model	A	B	C	D	E	F	G	H	I	J	K	L	M	N	O	P
LVR70	695	193	185	300	300	260	145	350	240	φ160	φ135	φ80	M10	φ135	φ80	M10
LVR150	765	208	250	360	360	320	175	393	260	φ160	φ135	φ80	M10	φ135	φ80	M10
LVR300	962	266	360	500	362	330	185	412	340	φ185	φ160	φ100	M10	φ135	φ80	M10